

--

## Feature

## Pin Description

- 
- 
- 
- 

## Applications

- 
- 

## Ordering and Marking Information

--	--

## Absolute Maximum Ratings

Symbol	Parameter	Rating	Unit
<b>Common Ratings</b>			
<b>Mounted on Large Heat Sink</b>			
$\theta$			
$\theta$			

## Electrical Characteristics

Symbol	Parameter	Test Conditions	HYG130ND03LR1			Unit
			Min	Typ.	Max	
<b>Static Characteristics</b>						
<b>Diode Characteristics</b>						

## Electrical Characteristics (Cont.)

Symbol	Parameter	Test Conditions	HYG130ND03LR1			Unit
			Min	Typ.	Max	
<b>Dynamic Characteristics</b>						
<b>Gate Charge Characteristics</b>						

## Typical Operating Characteristics

Figure 1: Power Dissipation

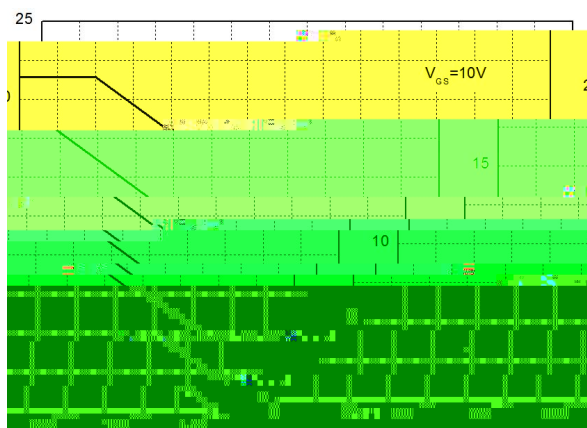


Figure 2: Drain Current



Figure 3: Safe Operation Area



Figure 4: Thermal Transient Impedance

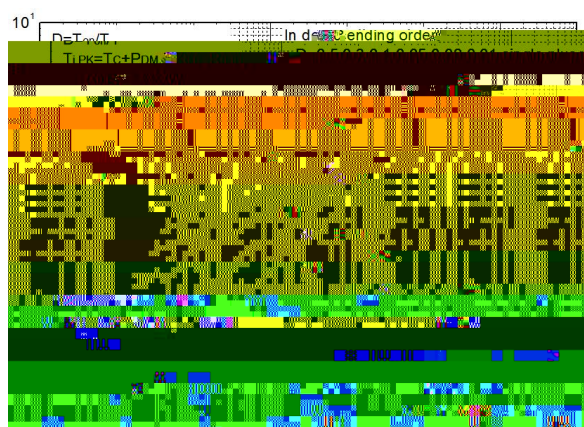


Figure 5: Output Characteristics

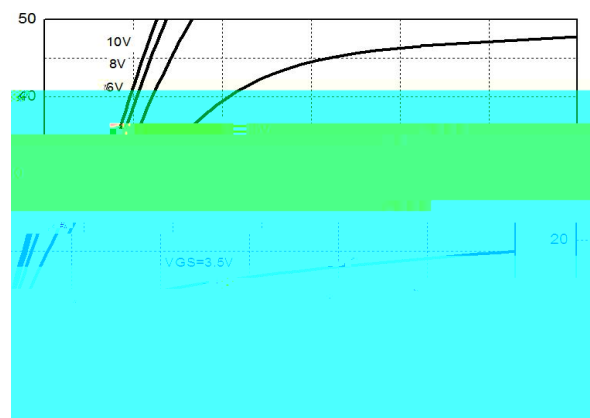
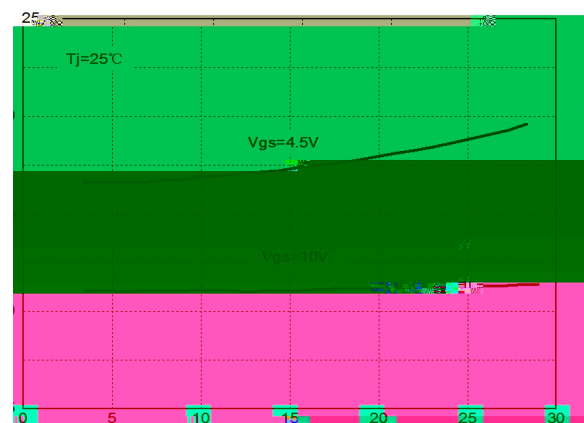


Figure 6: Drain-Source On Resistance



# **HYG130NIR1C2**

## **Typical Operating Characteristics**

**Figure 7: On-Resistance vs. Temperature**



**HYG130ND03LR1C2**

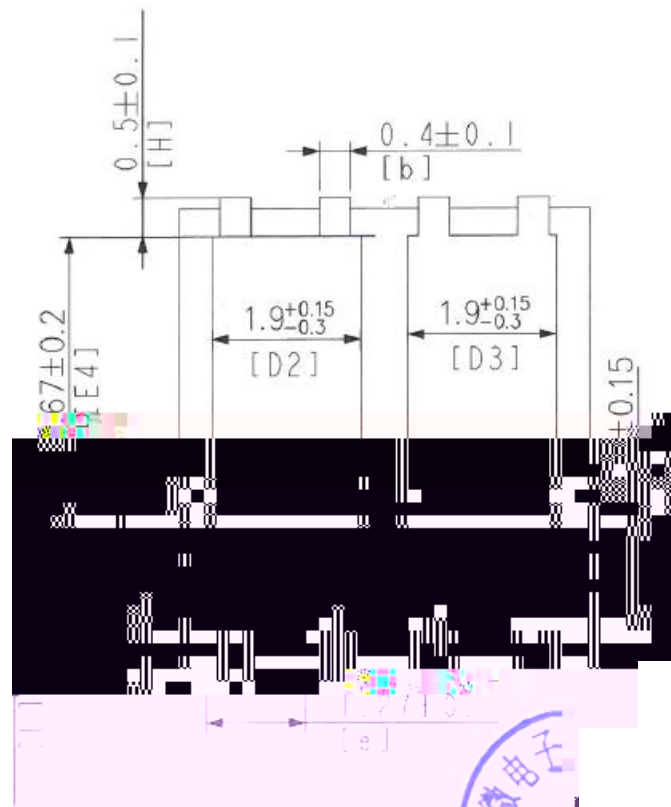
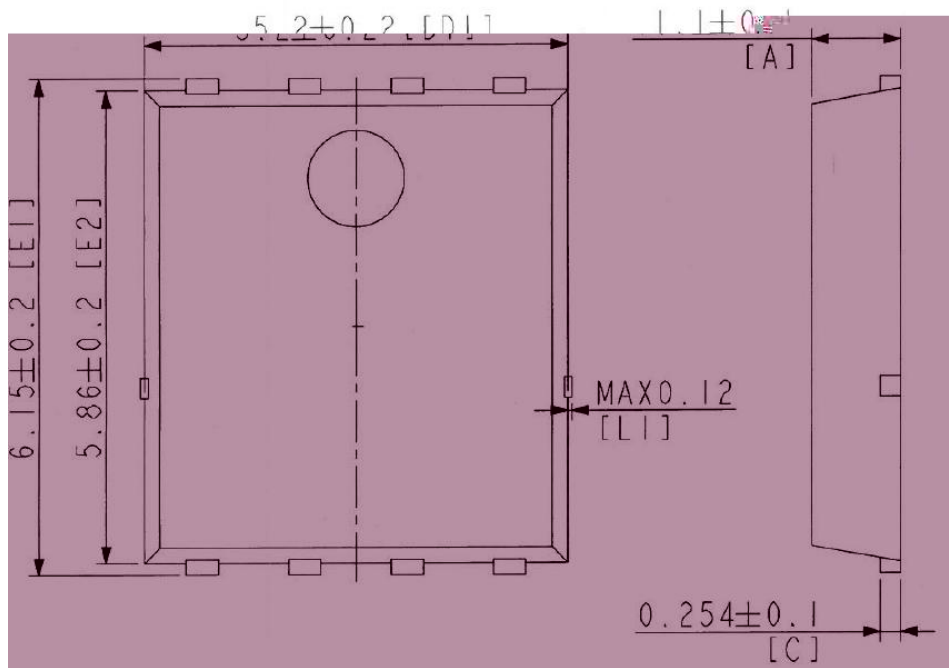
# HYG130ND03LR1C2

## Device Per Unit

Package Type	Unit	Quantity

## Package Information

PDFN8L(5x6)







Package  
Thickness

Volume mm  
<350

Volume mm  
350

