

N-Channel Super Junction Power MOSFET

Feature

Pin Description

- z 600V/20A
 $R_{DS(ON)} = 160 \text{ m}\Omega @ V_{GS} = 10\text{V}$
- z 100% Avalanche Tested
- z 100% DVDS
- z Reliable and Rugged
- z Halogen Free and Green Devices Available
 (RoHS Compliant)

TO-220MF-3L

Applications

- z LED lighting
- z Charger
- z High Power AC/DC Power Supply

Single N-Channel MOSFET

Ordering and Marking Information

MF HY60R171 XYMXXXXXX	Package Code MF:TO-220MF-3L Date Code XYMXXXXXX
-----------------------------	--

Note: HUAYI halogen free products contain molding compounds/die attach materials and 100% matte tin plate Termination finish; which are fully compliant with RoHS. HUAYI halogen free products meet or exceed the halogen free requirements of IPC/JEDEC J-STD-020 for MSL classification at halogen free peak reflow temperature. HUAYI defines 'Green' to mean halogen free (RoHS compliant) and halogen free (Br or Cl does not exceed 900ppm by weight in homogeneous material and total of Br and Cl does not exceed 1500ppm by weight).

HUAYI reserves the right to make changes, corrections, enhancements, modifications, and improvements to this product and/or to this document at any time without notice.

Absolute Maximum Ratings

Symbol	Parameter		Rating	Unit
Common Ratings (T _c =25°C Unless Otherwise Noted)				
V _{DSS}	Drain-Source Voltage		600	V
V _{GSS}	Gate-Source Voltage		f 20	V
T _J	Junction Temperature Range		-55 to 175	°C
T _{STG}	Storage Temperature Range			°C
I _S	Source Current-Continuous(Body Diode)	T _c =25°C	20	A
Mounted on Large Heat Sink				
I _{DM}	Pulsed Drain Current *	T _c =25°C	80	A
I _D	Continuous Drain Current	T _c =25°C	20	A
		T _c =100°C	14.2	A
P _D	Maximum Power Dissipation	T _c =25°C	258.6	W
		T _c =100°C	129.3	W
R _{θC}	Thermal Resistance, Junction-to-Case		0.58	°C/W
R _{θA}	Thermal Resistance, Junction-to-Ambient **		62.5	°C/W
E _{AS}	Single Pulsed-Avalanche Energy ***	L=80mH	700	mJ

Note: * Repetitive rating x pulse width limited by max.junction temperature.

** Surface mounted on 1in2 FR-4 board.

*** Limited by T_{Jmax} , starting T_J=25°C , L = 80mH, R_G= 25 , V_{GS} =10V.

Electrical Characteristics(T_c =25°C Unless Otherwise Noted)

Symbol Parameter

Electrical Characteristics (Cont.)(T_c =25°C Unless Otherwise Noted)

Symbol	Parameter	Test Conditions	HY 6OR171			Unit
			Min	Typ.	Max	
Dynamic Characteristics						
R _G	Gate Resistance	V _{GS} =0V, V _{DS} =0V, F=100kHz	-	2.7	-	
C _{iss}	Input Capacitance	V _{GS} =0V, V _{DS} =200V, Frequency=100kHz	-	1200	-	pF
C _{oss}	Output Capacitance		-	47	-	
C _{rss}	Reverse Transfer Capacitance		-	1.9	-	
t _{d(ON)}	Turn-on Delay Time	V _{DD} =300V, R _G =5 I _{DS} =10A, V _{GS} =10V	-	4	-	ns
T _r	Turn-on Rise Time		-	42	-	
t _{d(OFF)}	Turn-off Delay Time		-	26	-	
T _f	Turn-off Fall Time		-	22	-	
Gate Charge Characteristics						
Q _g	Total Gate Charge(V _{GS} =10V)	V _{DS} =520V, I _{DS} =10A	-	35	-	nC
Q _{gs}	Gate-Source Charge		-	9	-	
Q _{gd}	Gate-Drain Charge		-	16.5	-	
V _{plateau}	Gate plateau voltage		-	6.5	-	V

Note: *Pulse test È pulse width " 300us È duty cycle " 2%

Typical Operating Characteristics

Figure 1: Power Dissipation

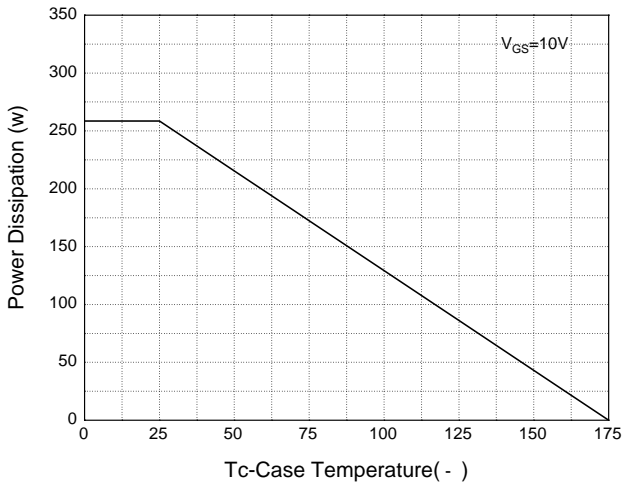


Figure 2: Drain Current

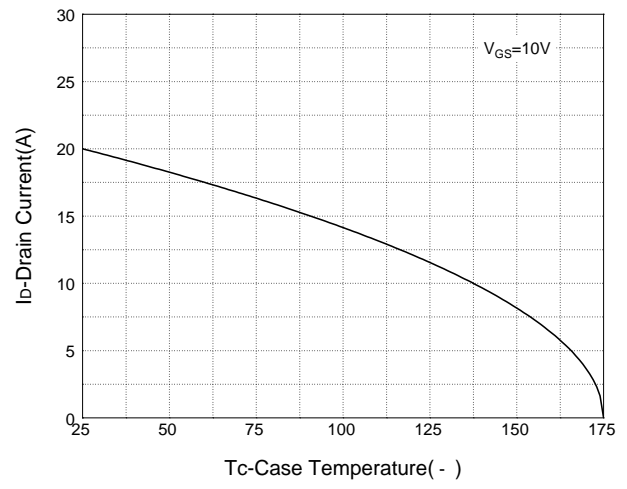


Figure 3: Safe Operation Area



Figure 4: Thermal Transient Impedance

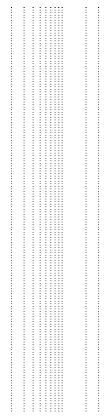


Figure 5: Output Characteristics

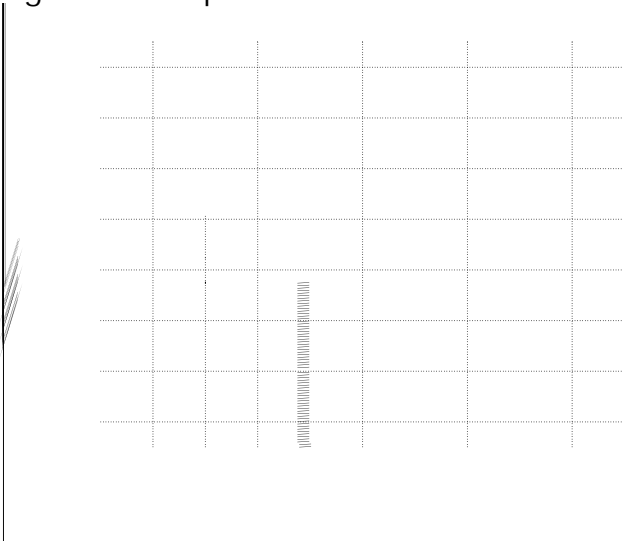
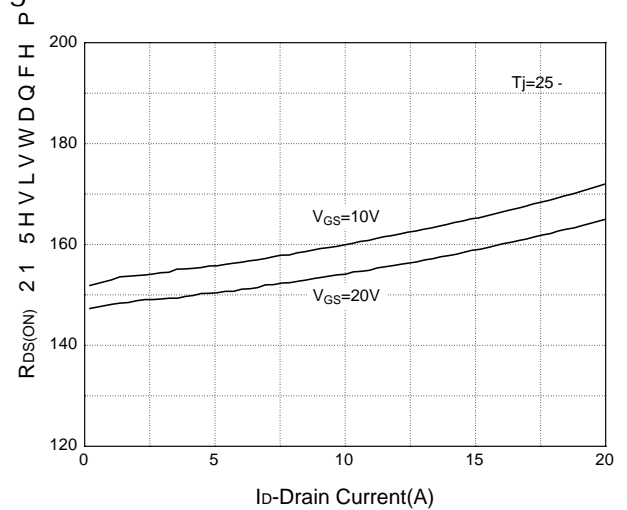


Figure 6: Drain-Source On Resistance



Typical Operating Characteristics(Cont.)

Figure 7: On-Resistance vs. Temperature

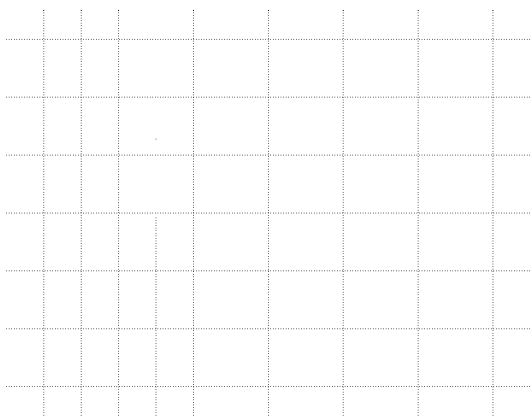


Figure 8: Source-Drain Diode Forward

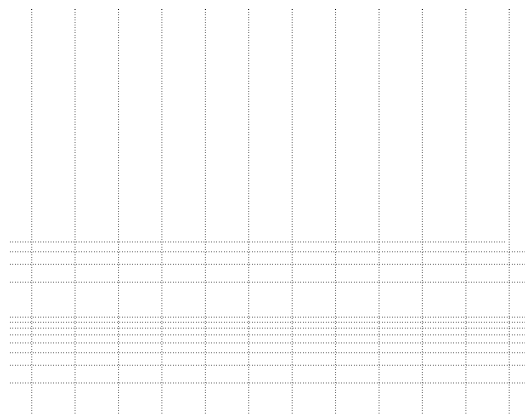


Figure 9: Capacitance Characteristics

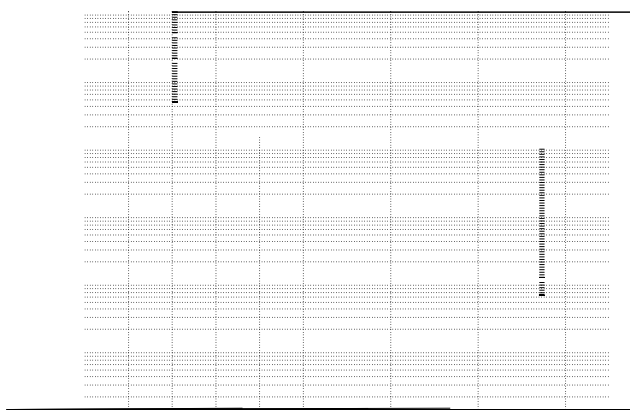
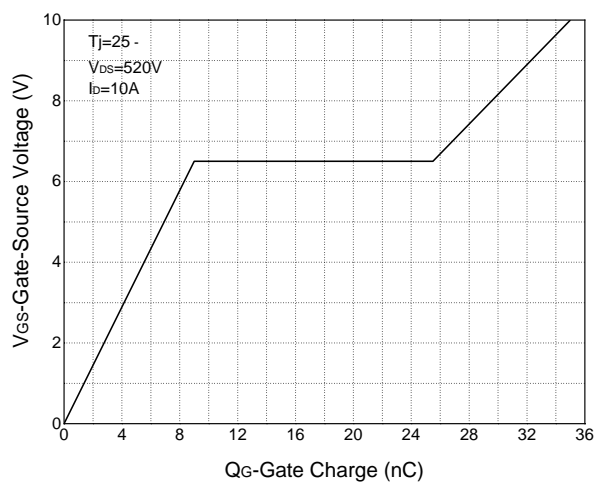
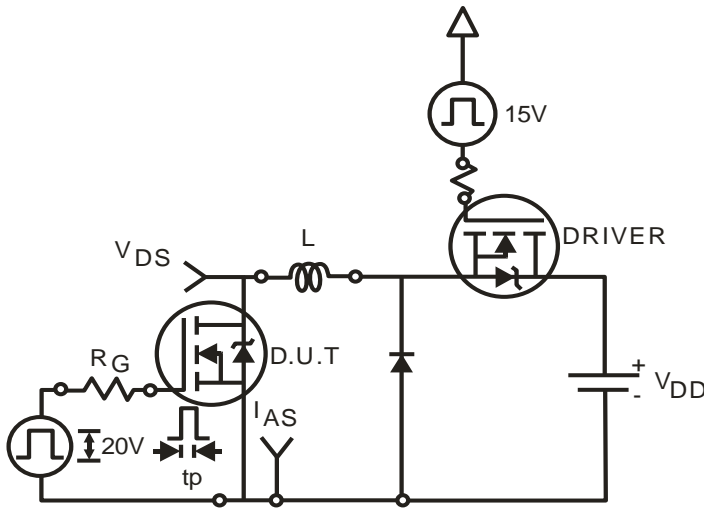


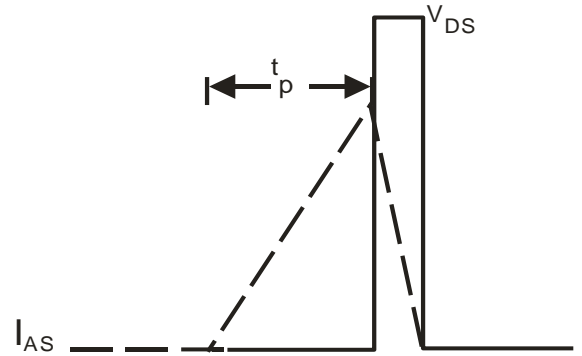
Figure 10: Gate Charge Characteristics



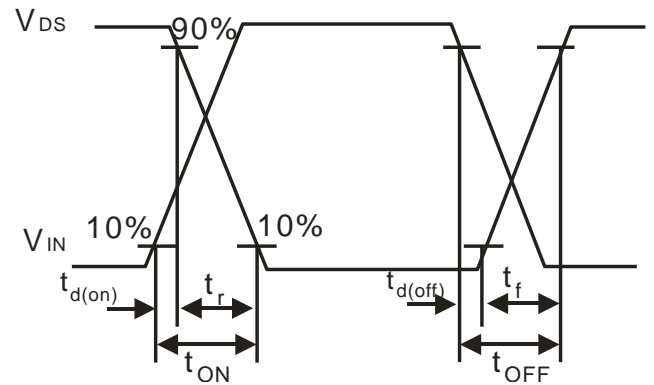
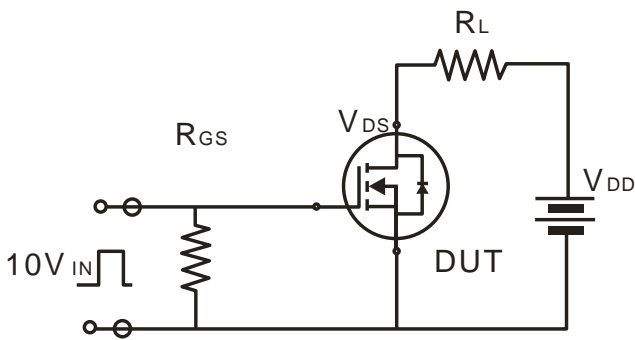
Avalanche Test Circuit



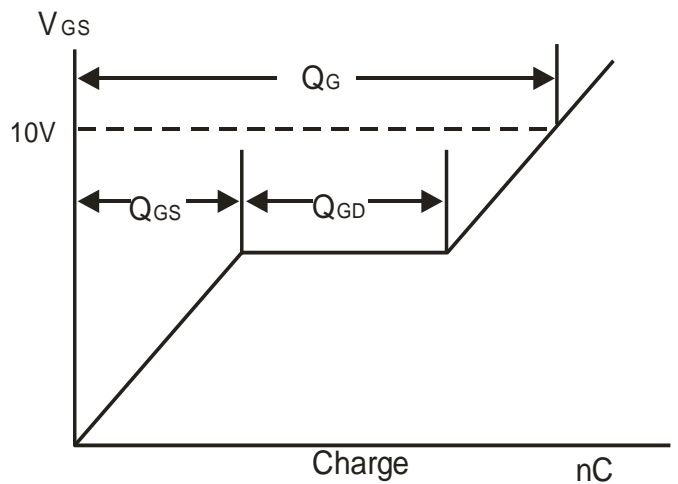
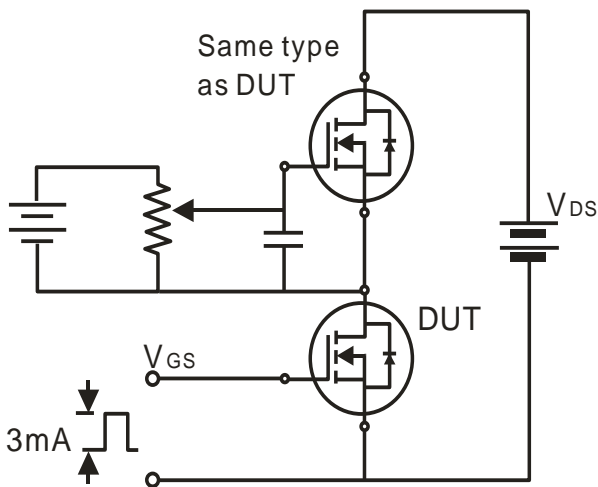
$$E_{AS} = \frac{1}{2} L I_{AS}^2$$



Switching Time Test Circuit



Gate Charge Test Circuit

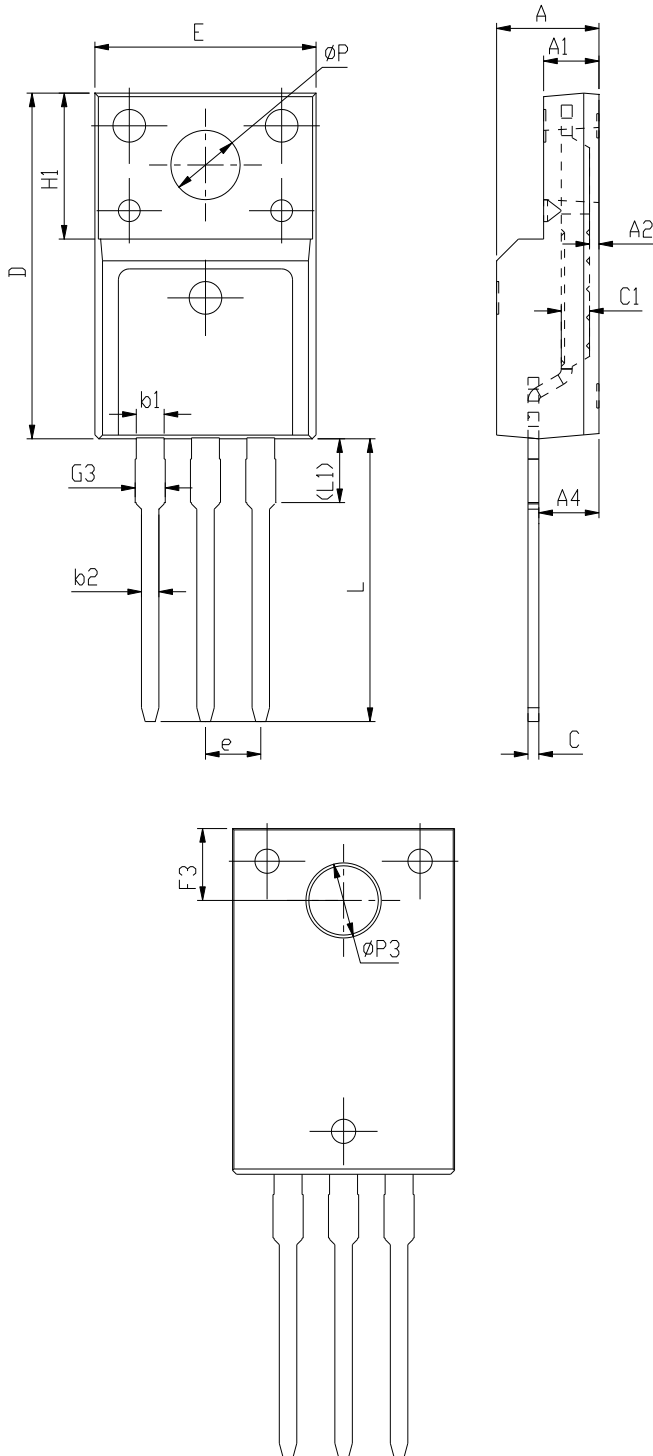


Device Per Unit

Package Type	Unit	Quantity
TO-220MF-3L	Tube	50

Package Information

TO-220MF3L



COMMON DIMENSIONS			
SYMBOL	mm		
	MIN	NOM	MAX
E	9.96	10.16	10.36
A	4.50	4.70	4.90
A1	2.34	2.54	2.74
A2	0.30	0.45	0.60
A4	2.56	2.76	2.96
c	0.40	0.50	0.65
c1	1.20	1.30	1.35
D	15.57	15.87	16.17
H1	6.70REF		
e	2.54BSC		
L	12.68	12.98	13.28
L1	3.03	3.23	3.43
- 3	3.03	3.18	3.38
- 3	3.15	3.45	3.65
F3	3.15	3.30	3.45
G3	1.25	1.35	1.55
b1	1.18	1.28	1.43
b2	0.70	0.80	0.95

Classification Profile

Classification Reflow Profiles

Profile Feature	Sn-Pb Eutectic Assembly	Pb-Free Assembly
Preheat & Soak		
Temperature min (T_{smin})	100 °C	150 °C
Temperature max (T_{smax})	150 °C	200 °C
Time (T_{smin} to T_{smax}) (t_s)	60-120 seconds	60-120 seconds
Average ramp-up rate (T_{smax} to T_P)	3 °C/second max.	3°C/second max.
Liquidous temperature (T_L)	183 °C	217 °C
Time at liquidous (t_L)	60-150 seconds	60-150 seconds
Peak package body Temperature (T_P)*	See Classification Temp in table 1	See Classification Temp in table 2
Time (t_P)** within 5°C of the specified classification temperature (T_c)	20** seconds	30** seconds

Table 1. SnPb Eutectic Process ±Classification Temperatures (Tc)

Package Thickness	Volume mm \hat{a} <350	Volume mm \hat{a} 1 350
Ø2.5 mm	235 ℃	220 ℃
• P P	220 ℃	220 ℃

Table 2. Pb-free Process ±Classification Temperatures (Tc)

Package Thickness	Volume mm \hat{a} <350	Volume mm \hat{a} 3502000	Volume mm \hat{a} 1 2000
<1.6 mm	260 ℃	260 ℃	260 ℃
1.6 mm ±2.5 mm	260 ℃	250 ℃	245 ℃
12.5 mm	250 ℃	245 ℃	245 ℃

Reliability Test Program

Test item	Method	Description
SOLDERABILITY	JESD-22, B102	5 Sec, 245℃
HTRB	JESD-22, A108	168/500 Hrs, Bias @ 150℃
HTGB	JESD-22, A108	168/500 Hrs, V _{gs} 100% @ 150℃
PCT	JESD-22, A102	96 Hrs, 100%RH, 2atm, 121℃
TCT	JESD-22, A104	250/500 Cycles, -55℃~150℃

Customer Service